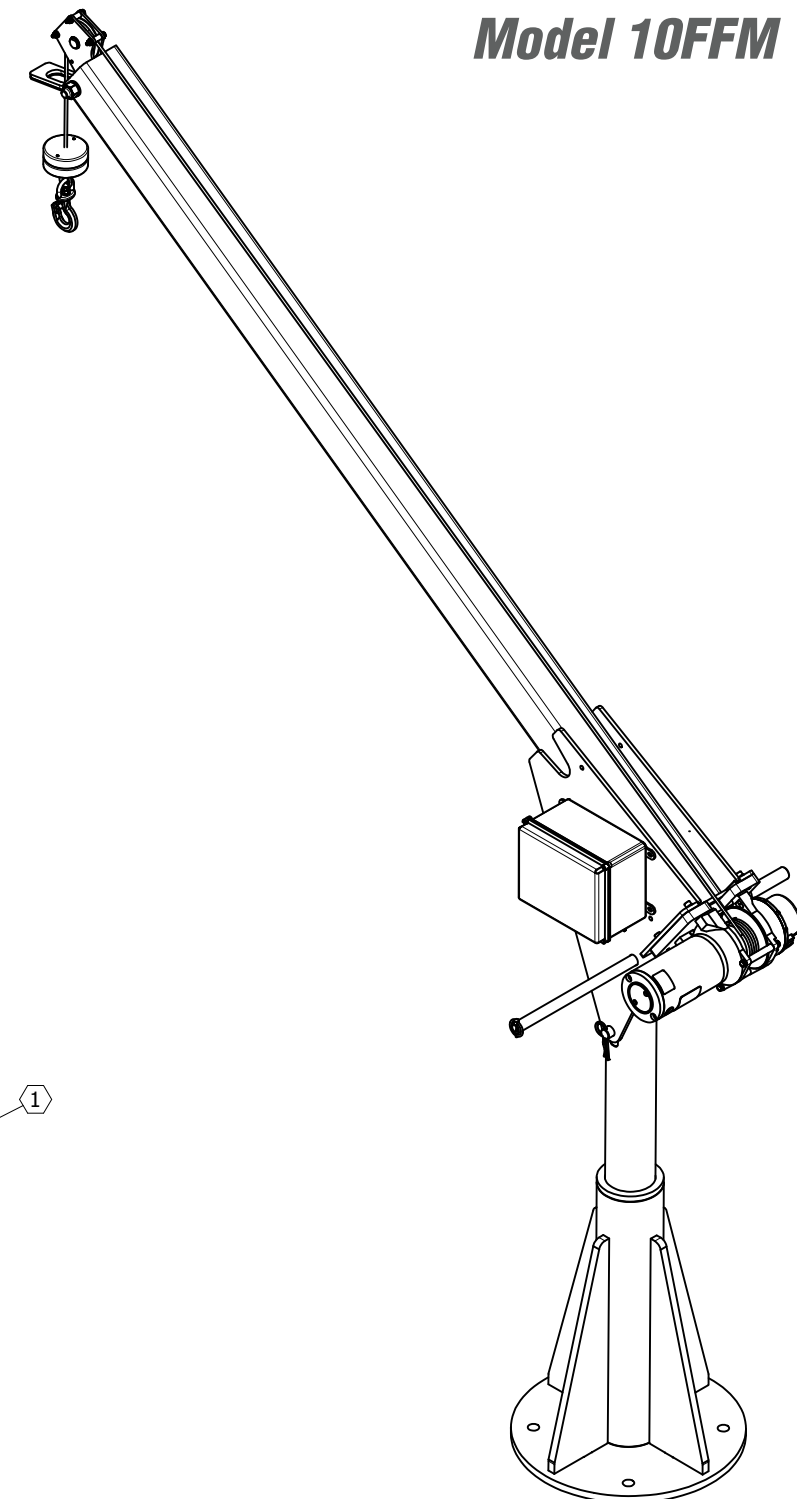
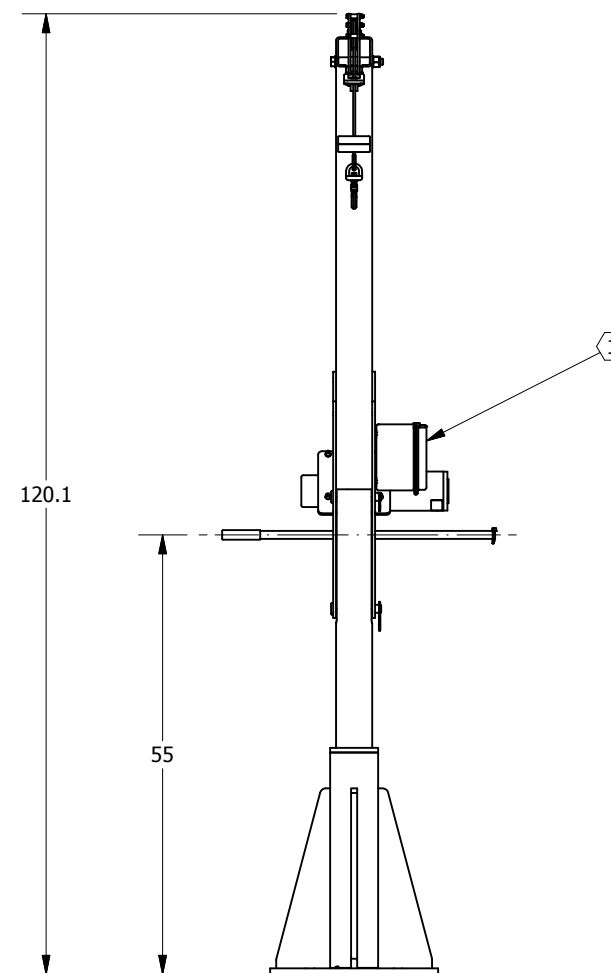
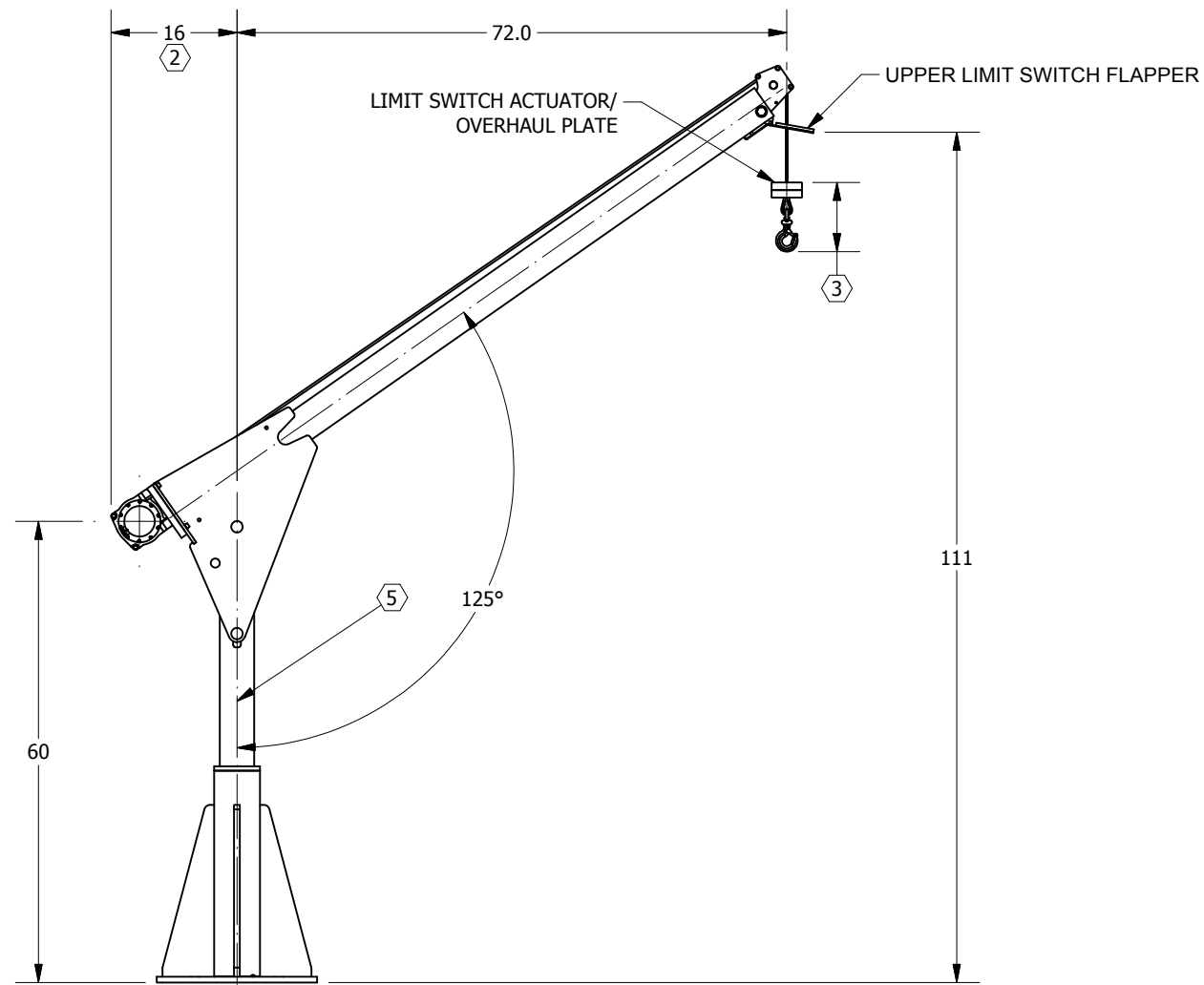
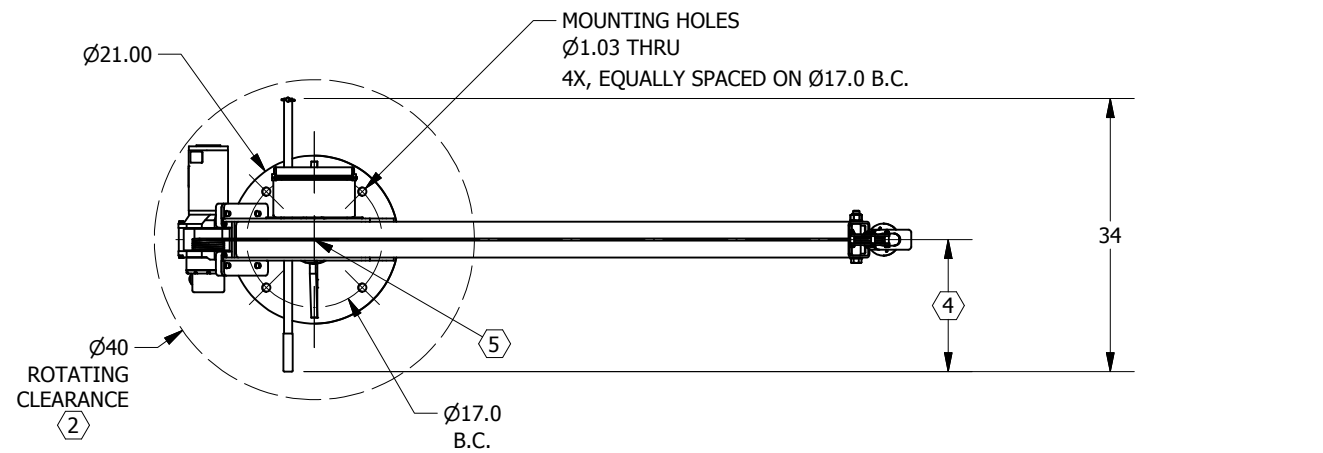


Davit Crane Dimensions Model 10FFM



NOTES

- ① Control enclosure for HC1000-1A25-L-11 shown.
- ② Shown with HC1000-1A25-L-11; available for use with other hoist models.
- ③ Dimension varies with hook assembly; 1-ton swivel hook shown.
- ④ Range of handle rod position: 4.8" to 30.5".
- ⑤ Pivot axis.

This print is the property of Allied Power Products, Inc. and may not be used in any manner detrimental to their interest.