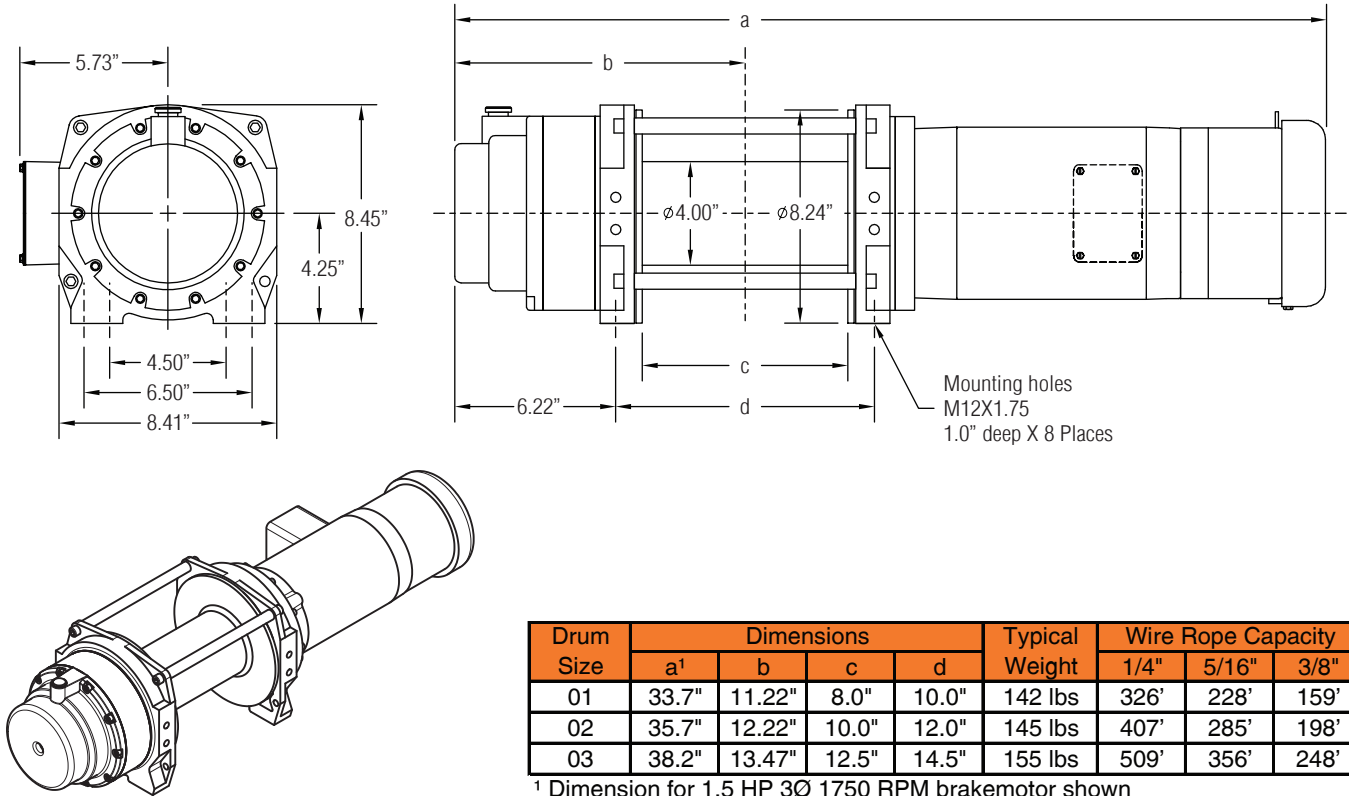


CAUTION: The final determination as to the suitability of this product for any purpose is solely that of the user. Columbia products are not to be used to lift people or to lift anything over people.

DIMENSIONAL DATA



Drum Size	Dimensions				Typical Weight	Wire Rope Capacity		
	a ¹	b	c	d		1/4"	5/16"	3/8"
01	33.7"	11.22"	8.0"	10.0"	142 lbs	326'	228'	159'
02	35.7"	12.22"	10.0"	12.0"	145 lbs	407'	285'	198'
03	38.2"	13.47"	12.5"	14.5"	155 lbs	509'	356'	248'

¹ Dimension for 1.5 HP 3Ø 1750 RPM brakemotor shown

PERFORMANCE

Model	Motor		Power Input		Gear Ratio	Calculated Performance					
	HP	RPM	Voltage	Ø		First Layer		Mean Drum		Full Drum	
						LBS	FPM	LBS	FPM	LBS	FPM
HG500	1.0	1700	115/230	1Ø	36:1	500	55.7	375	72.2	305	88.7
			230/460	3Ø							
HG750	1.5	1700	230	1Ø	36:1	750	55.7	562	72.2	457	88.7
			230/460	3Ø							
HG1000	2.0	1700	230/460	3Ø	36:1	1,000	55.7	749	72.2	610	88.7
HG1600	1.0	3300	115/230	1Ø	261:1	1,600	15.1	1,242	19.6	1,011	24.1
			230/460	3Ø							
HG2400	1.5	3300	115/230	1Ø	261:1	2,400	15.1	1,863	19.6	1,516	24.1
			230/460	3Ø							
HG3300	2.0	3300	230	1Ø	261:1	3,300	15.1	2,484	19.6	2,021	24.1
			230/460	3Ø							
HG3700	1.0	1725	115/230	1Ø	261:1	3,700	7.7	2,815	10.0	2,291	12.2
			230/460	3Ø							
HG5600	1.5	1725	115/230	1Ø	261:1	5,600	7.7	4,223	10.0	3,436	12.2
			230/460	3Ø							

Performance based on intermittent duty cycles.

Columbia winches and hoists are available for AC, DC, hydraulic or pneumatic power sources. Special models for any application can be supplied - please contact your distributor for details.

Distributed by:



1040 RUE ROBERT, ST-JÉRÔME, QC, J5L 2G9
 TÉL : (450) 565-6141 / MTL : (450) 476-6065
 FAX : (450) 565-3432 / EMAIL : info@reptech.ca
 SITE WEB : www.reptech.ca