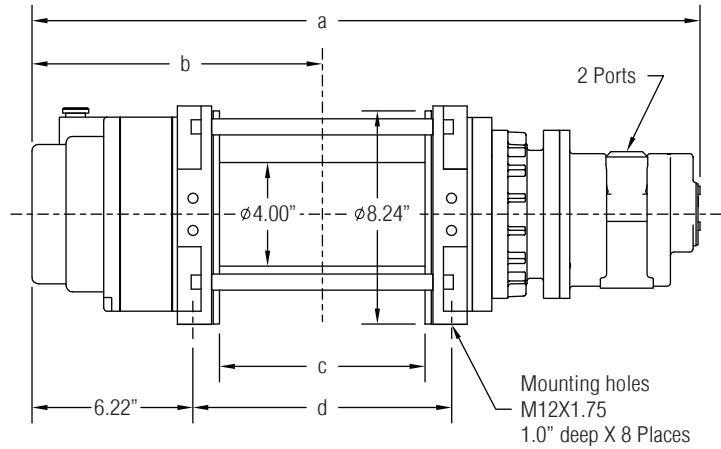
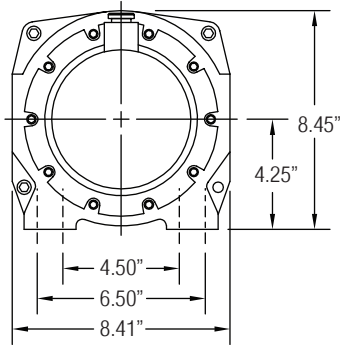
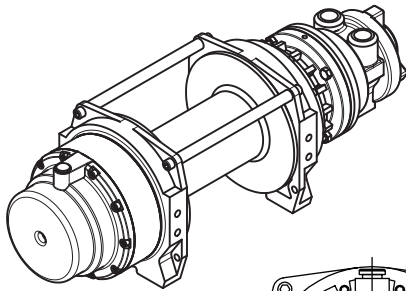


### DIMENSIONAL DATA



Drum Size	Dimensions					Typical Weight		Wire Rope Capacity			Motor	Port Size
	a		b	c	d	2.5 HP	4.25 HP	1/4"	5/16"	3/8"		
	2.5 HP	4.25 HP										
01	24.4"	25.8"	11.22"	8.0"	10.0"	95 lbs	105 lbs	326'	228'	159'	2.5 HP	1/2" NPT
02	26.4"	27.8"	12.22"	10.0"	12.0"	98 lbs	108 lbs	407'	285'	198'	4.25 HP	3/4" NPT
03	28.9"	30.3"	13.47"	12.5"	14.5"	108 lbs	118 lbs	509'	356'	248'		

### PERFORMANCE

Model	HP	Power Input		Gear Ratio	Calculated Performance					
		PSI	CFM		First Layer		Mean Drum		Full Drum	
					LBS	FPM	LBS	FPM	LBS	FPM
HG750-P	4.25	65	110	36:1	750	95.4	562	123.8	457	152.1
HG1600-P	6.5	75	190	36:1	1600	95.4	1206	123.8	981	152.1
HG2750-P	2.5	70	75	261:1	2,750	17.6	2,190	22.8	1,782	28.0
HG5000-P	4.25	65	110	261:1	5,000	13.2	3,910	17.1	3,182	21.0

Performance based on intermittent duty cycles.

CAUTION: The final determination as to the suitability of this product for any purpose is solely that of the user. Columbia products are not to be used to lift people or to lift anything over people.

Columbia winches and hoists are available for AC, DC, hydraulic or pneumatic power sources. Special models for any application can be supplied - please contact your distributor for details.

Distributed by:



1040 RUE ROBERT, ST-JÉRÔME, QC, J5L 2G9  
 TÉL : (450) 565-6141 / MTL : (450) 476-6065  
 FAX : (450) 565-3432 / EMAIL : info@reptech.ca  
 SITE WEB : www.reptech.ca