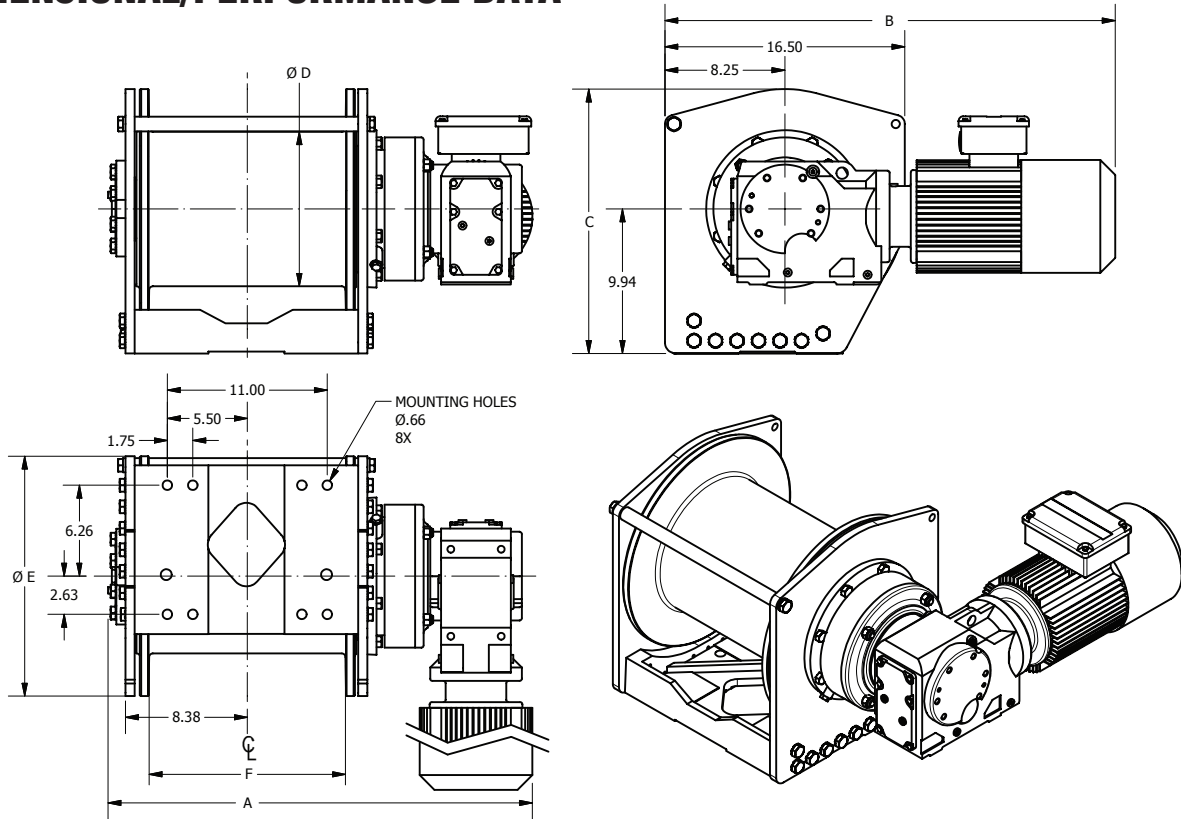


### DIMENSIONAL/PERFORMANCE DATA



Model	Motor HP	Typical Weight	Calculated Performance (5/8" wire rope)					
			First Layer		Mean Drum		Full Drum	
			LBS	FPM	LBS	FPM	LBS	FPM
HL6000 <sup>1</sup>	3.0	482 lbs	6,000	15	5,200	18	4,450	21
HL9000 <sup>1</sup>	3.0	482 lbs	9,000	10	7,700	12	6,600	14
HL12000 <sup>1</sup>	3.0	500 lbs	12,000	7	10,200	9	8,700	10
HL12000 <sup>1</sup>	5.0	500 lbs	12,000	13	9,600	16	8,200	18
HL12000 <sup>2</sup>	7.5	579 lbs	12,000	17	9,600	24	7,900	29
HL15000 <sup>2</sup>	3.0	520 lbs	15,000	6	10,400	8	8,600	10
HL15000 <sup>2</sup>	5.0	528 lbs	15,000	11	11,400	14	9,400	17
HL15000 <sup>2</sup>	7.5	579 lbs	15,000	15	11,000	21	9,100	25

<sup>1</sup> -02 drum performance    <sup>2</sup> -04 and -05 drum performance

Performance based on 230/460 3Ø 60 Hz input power; other voltages available

Drum Size	Dimensions						Wire Rope Capacity, Feet		
	A	B	C	D	E	F	1/2"	9/16"	5/8"
-02	28.8"	31.8"	17.9"	9.8"	16.4"	13.8"	547	399	368
-04	29.5"	39.3"	22.0"	10.6"	20.0"	13.5"	957	756	589
-05	30.6"	35.6"	18.0"	10.6"	16.5"	13.8"	470	427	300

Typical dimensions shown; gearmotors can be rotated in 90° increments

CAUTION: The final determination as to the suitability of this product for any purpose is solely that of the user. Columbia products are not to be used to lift people or to lift anything over people.

Columbia winches and hoists are available for AC, DC, hydraulic or pneumatic power sources. Special models for any application can be supplied - please contact your distributor for details.

Distributed by:



1040 RUE ROBERT, ST-JÉRÔME, QC, J5L 2G9  
 TÉL : (450) 565-6141 / MTL : (450) 476-6065  
 FAX : (450) 565-3432 / EMAIL : info@reptech.ca  
 SITE WEB : www.reptech.ca