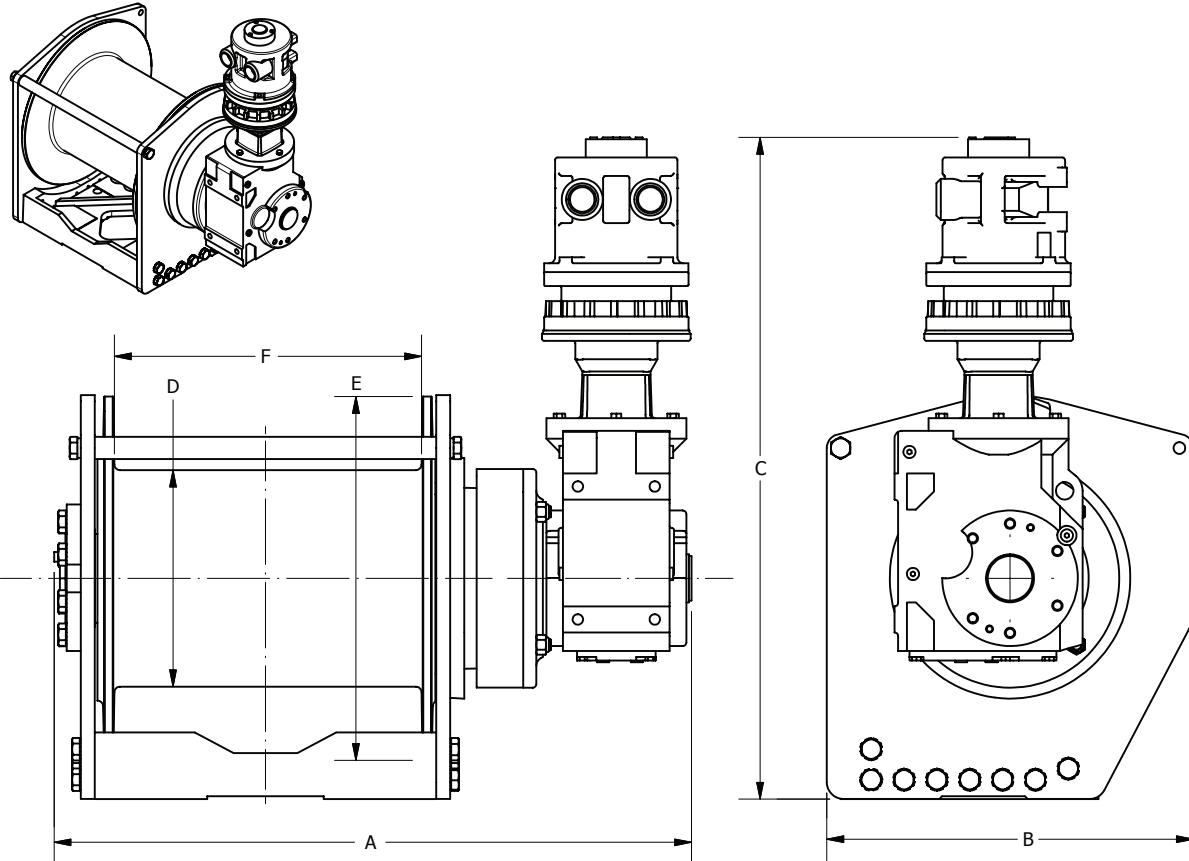


DIMENSIONAL/PERFORMANCE DATA



Model	HP	Power Input		Line Pull • Line Speed (Calculated)		
		PSI	CFM	First Layer	Mean Drum	Full Drum
HL6000 ¹	6.25	80	215	6000 lbs • 24 fpm	5000 lbs • 29 fpm	4250 lbs • 34 fpm
HL9000 ¹	6.25	85	225	9000 lbs • 16 fpm	7500 lbs • 19 fpm	6400 lbs • 23 fpm
HL12000 ¹	6.25	80	215	12,000 lbs • 12 fpm	9900 lbs • 14 fpm	8450 lbs • 16 fpm
HL15000 ²	6.25	85	225	15,000 lbs • 9 fpm	12,625 lbs • 11 fpm	10,870 lbs • 13 fpm

¹ -02 drum performance ² -04 and -05 drum performance

Drum Size	Dimensions						Wire Rope Capacity, Feet		
	A	B	C	D	E	F	1/2"	9/16"	5/8"
-02	27.6"	16.5"	29.8"	9.7"	16.4"	13.7"	547	399	368
-04	27.3"	21.8"	32.0"	10.6"	20.0"	13.5"	957	756	589
-05	27.6"	16.5"	29.8"	10.6"	16.5"	13.7"	470	427	300

Typical dimensions shown; gearmotors can be rotated in 90° increments

CAUTION: The final determination as to the suitability of this product for any purpose is solely that of the user. Columbia products are not to be used to lift people or to lift anything over people.

Columbia winches and hoists are available for AC, DC, hydraulic or pneumatic power sources. Special models for any application can be supplied - please contact your distributor for details.

Distributed by:



1040 RUE ROBERT, ST-JÉRÔME, QC, J5L 2G9
 TÉL : (450) 565-6141 / MTL : (450) 476-6065
 FAX : (450) 565-3432 / EMAIL : info@reptech.ca
 SITE WEB : www.reptech.ca