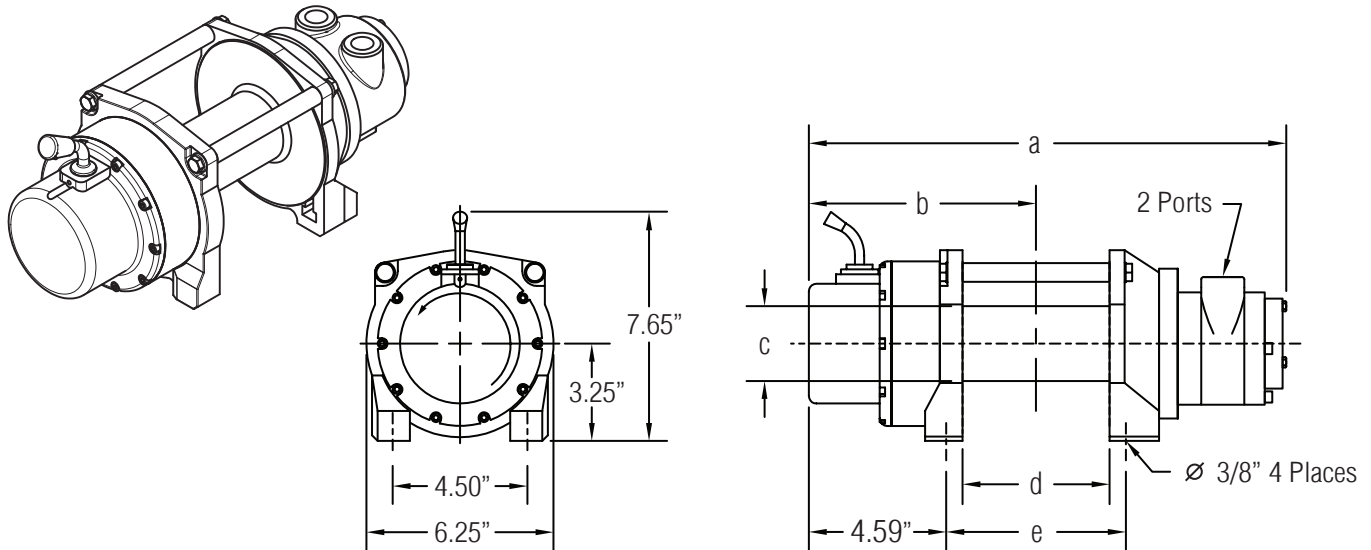


DIMENSIONAL DATA



Drum Size	Dimensions					Typical Weight	Wire Rope Capacity		
	a	b	c	d	e		3/16"	1/4"	5/16"
-11	14.2"	6.59"	3.5"	2.7"	4.0"	32 lbs	99'	--	--
-01	15.9"	7.59"	2.5"	5.0"	6.0"	35 lbs	213'	120'	84'
-02	19.9"	9.59"	2.5"	9.0"	10.0"	39 lbs	384'	217'	147'

Motor	Port Size
0.75 HP	3/8 NPT
1.25 HP	1/2 NPT

PERFORMANCE

Model	HP	Power Input		Gear Ratio	Calculated Performance					
		PSI	CFM		First Layer		Mean Drum		Full Drum	
					LBS	FPM	LBS	FPM	LBS	FPM
WD470-P ¹	0.75	70	50	113:1	470	35.9	387	43.8	327	51.7
WD650-P ¹	0.75	70	50	156:1	650	26.0	534	31.7	452	37.4
WD900-P ¹	0.75	70	50	216:1	900	18.8	739	22.9	625	27.0
WD1450-P ²	1.25	70	80	113:1	1,450	26.0	1,044	36.0	816	51.0
WD2000-P ²	1.25	70	80	156:1	2,000	19.0	1,440	26.0	1,125	37.0
WD2700-P ²	1.25	70	80	216:1	2,700	13.0	1,952	19.0	1,527	24.0

¹ -11 drum

² -01 and -02 drums

Performance based on intermittent duty cycles.

CAUTION: The final determination as to the suitability of this product for any purpose is solely that of the user. Columbia products are not to be used to lift people or to lift anything over people.

Columbia winches and hoists are available for AC, DC, hydraulic or pneumatic power sources. Special models for any application can be supplied - please contact your distributor for details.

Distributed by:



1040 RUE ROBERT, ST-JÉRÔME, QC, J5L 2G9
 TÉL : (450) 565-6141 / MTL : (450) 476-6065
 FAX : (450) 565-3432 / EMAIL : info@reptech.ca
 SITE WEB : www.reptech.ca