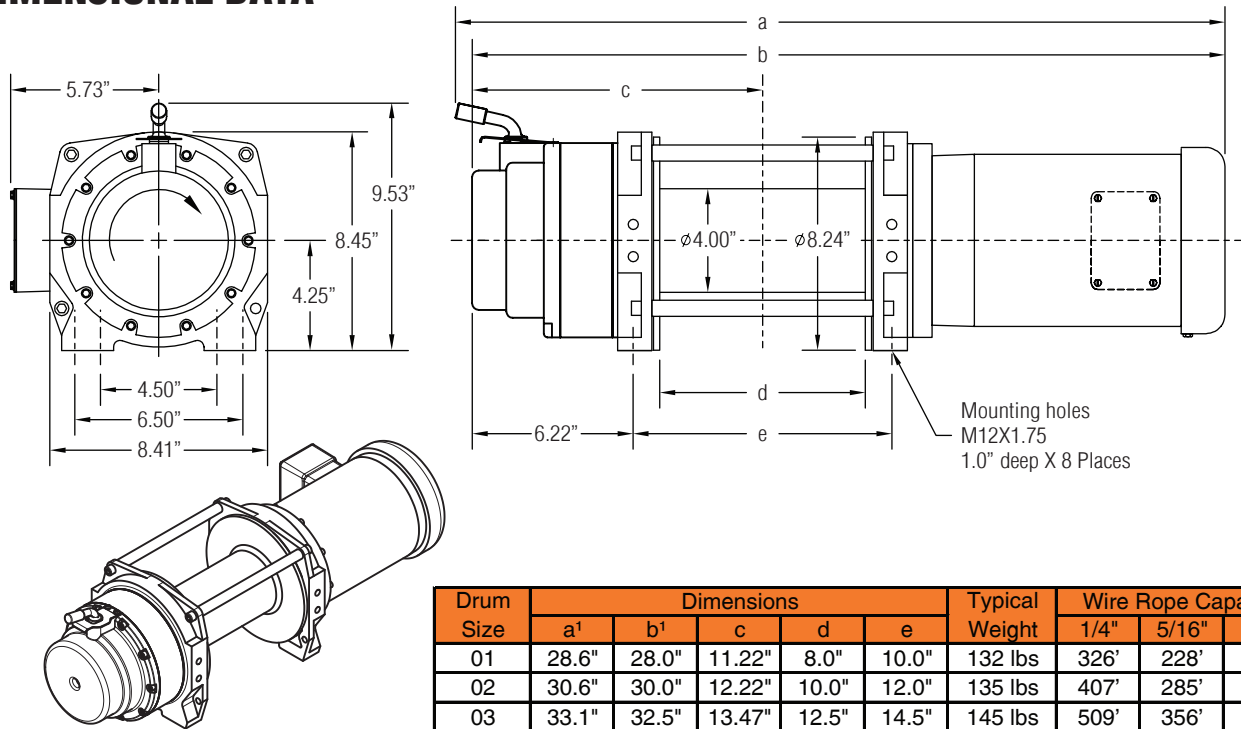


CAUTION: The final determination as to the suitability of this product for any purpose is solely that of the user. Columbia products are not to be used to lift people or to lift anything over people.

DIMENSIONAL DATA



Drum Size	Dimensions					Typical Weight	Wire Rope Capacity		
	a ¹	b ¹	c	d	e		1/4"	5/16"	3/8"
01	28.6"	28.0"	11.22"	8.0"	10.0"	132 lbs	326'	228'	159'
02	30.6"	30.0"	12.22"	10.0"	12.0"	135 lbs	407'	285'	198'
03	33.1"	32.5"	13.47"	12.5"	14.5"	145 lbs	509'	356'	248'

¹ Dimension for 1.5 HP 3Ø 1750 RPM motor shown

PERFORMANCE

Model	Motor		Power Input		Gear Ratio	Calculated Performance					
	HP	RPM	Voltage	Ø		First Layer		Mean Drum		Full Drum	
						LBS	FPM	LBS	FPM	LBS	FPM
WG500	1.0	1700	115/230	1Ø	36:1	500	55.7	375	72.2	305	88.7
			230/460	3Ø							
WG750	1.5	1700	230	1Ø	36:1	750	55.7	562	72.2	457	88.7
			230/460	3Ø							
WG1000	2.0	1700	230/460	3Ø	36:1	1,000	55.7	749	72.2	610	88.7
WG1600	1.0	3300	115/230	1Ø	261:1	1,600	15.1	1,242	19.6	1,011	24.1
			230/460	3Ø							
WG2400	1.5	3300	115/230	1Ø	261:1	2,400	15.1	1,863	19.6	1,516	24.1
			230/460	3Ø							
WG3300	2.0	3300	230	1Ø	261:1	3,300	15.1	2,484	19.6	2,021	24.1
			230/460	3Ø							
WG5000	3.0	3300	230/460	3Ø	261:1	5,000	15.1	3,726	19.6	3,032	24.1
WG3700	1.0	1725	115/230	1Ø	261:1	3,700	7.7	2,815	10.0	2,291	12.2
			230/460	3Ø							
WG5600	1.5	1725	115/230	1Ø	261:1	5,600	7.7	4,223	10.0	3,436	12.2
			230/460	3Ø							
WG7500	2.0	1725	230	1Ø	261:1	7,500	7.7	5,630	10.0	4,581	12.2
			230/460	3Ø							
WG11000	3.0	1725	230/460	3Ø	261:1	11,000	7.7	8,445	10.0	6,872	12.2

Performance based on intermittent duty cycles.

Columbia winches and hoists are available for AC, DC, hydraulic or pneumatic power sources. Special models for any application can be supplied - please contact your distributor for details.

Distributed by:



1040 RUE ROBERT, ST-JÉRÔME, QC, J5L 2G9
 TÉL : (450) 565-6141 / MTL : (450) 476-6065
 FAX : (450) 565-3432 / EMAIL : info@reptech.ca
 SITE WEB : www.reptech.ca