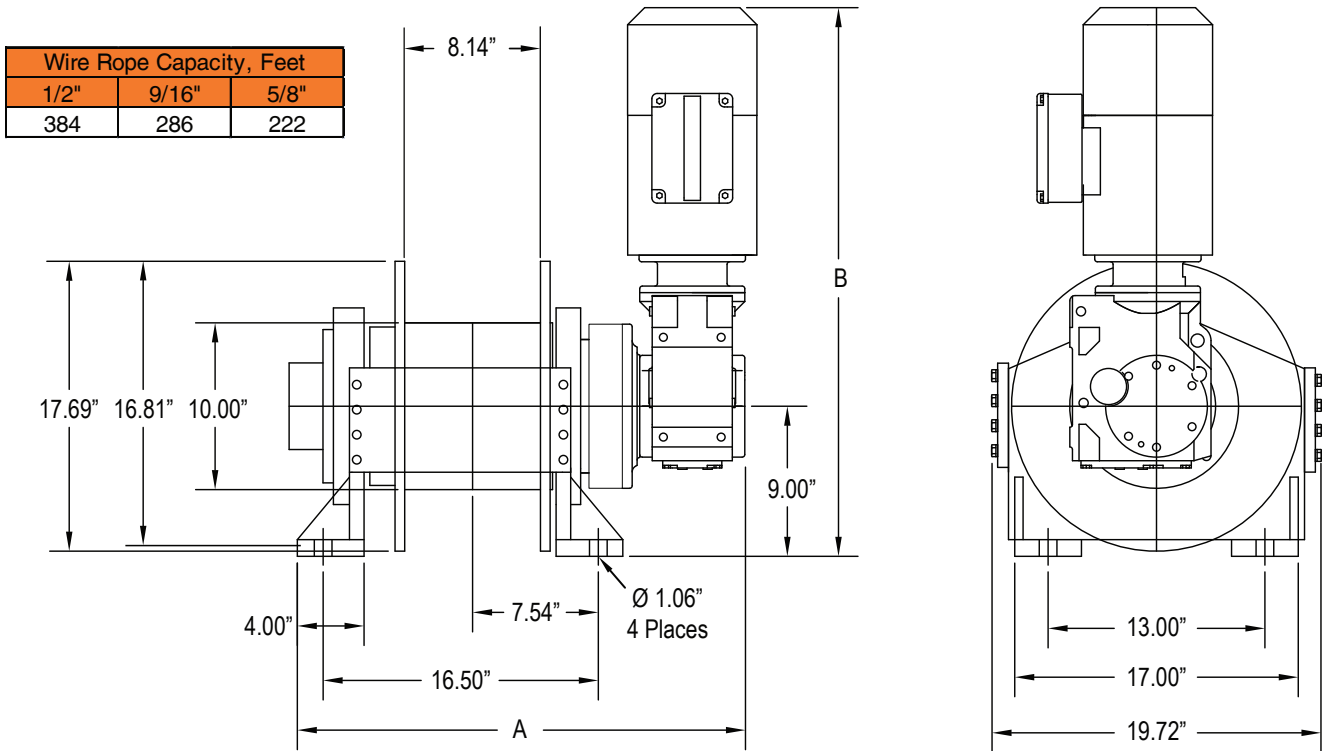


DIMENSIONAL/PERFORMANCE DATA



Model	Motor HP	Typical Weight	Line Pull • Line Speed (Calculated with 5/8" wire rope)			Dimensions	
			First Layer	Mean Drum	Full Drum	A ¹	B ¹
WN7500	3.0	570 lbs	7500 lbs • 11 fpm	6400 lbs • 14 fpm	5500 lbs • 16 fpm	28.4"	31.5"
WN7500	5.0	570 lbs	7500 lbs • 19 fpm	6000 lbs • 26 fpm	5200 lbs • 30 fpm	28.4"	31.5"
WN10000	3.0	570 lbs	10000 lbs • 8 fpm	8300 lbs • 11 fpm	7200 lbs • 13 fpm	28.4"	31.5"
WN10000	5.0	598 lbs	10000 lbs • 13 fpm	8700 lbs • 17 fpm	7500 lbs • 21 fpm	28.9"	32.0"
WN15000	3.0	570 lbs	15000 lbs • 6 fpm	11900 lbs • 7 fpm	10300 lbs • 9 fpm	28.4"	31.5"
WN15000	5.0	598 lbs	15000 lbs • 10 fpm	11600 lbs • 13 fpm	10000 lbs • 15 fpm	28.1"	32.0"
WN15000	7.5	629 lbs	15000 lbs • 16 fpm	11000 lbs • 21 fpm	9500 lbs • 24 fpm	29.3"	35.1"
WN20000	3.0	578 lbs	20000 lbs • 5 fpm	14700 lbs • 6 fpm	12700 lbs • 7 fpm	28.6"	31.8"
WN20000	5.0	598 lbs	20000 lbs • 9 fpm	14500 lbs • 11 fpm	12500 lbs • 13 fpm	28.6"	31.8"
WN20000	7.5	629 lbs	20000 lbs • 12 fpm	14600 lbs • 15 fpm	12600 lbs • 18 fpm	29.3'	35.1"
WN20000	10.0	730 lbs	20000 lbs • 16 fpm	14500 lbs • 21 fpm	12500 lbs • 25 fpm	32.0'	37.6"

Performance based on 230/460 3Ø 60 Hz input power; other voltages available

¹ Max dimension shown

CAUTION: The final determination as to the suitability of this product for any purpose is solely that of the user. Columbia products are not to be used to lift people or to lift anything over people.

Columbia winches and hoists are available for AC, DC, hydraulic or pneumatic power sources. Special models for any application can be supplied - please contact your distributor for details.

Distributed by:



1040 RUE ROBERT, ST-JÉRÔME, QC, J5L 2G9
 TÉL : (450) 565-6141 / MTL : (450) 476-6065
 FAX : (450) 565-3432 / EMAIL : info@reptech.ca
 SITE WEB : www.reptech.ca