

CX Series Ultra Compact Manual Chain Hoists

1/4 metric tonne capacity, extremely lightweight and portable



KITO CX Series Mini-Manual Chain Hoist is suitable for work in tight quarters or wherever you need to lift a light load. The CX manual hoist features an ultra-compact size, easy operation and advanced safety mechanism for a unique combination of extreme portability, operation and safety.

FEATURES

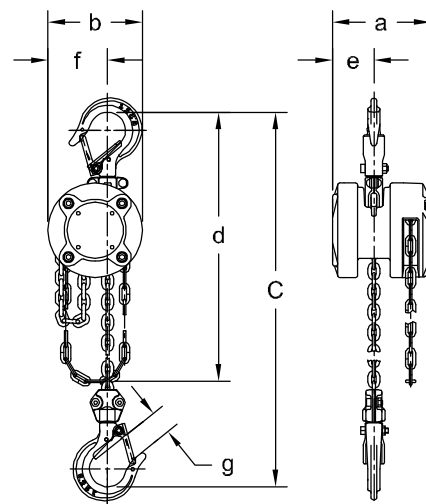
- At rated capacity, load-bearing parts are only stressed to 25% of their limit.
- Advanced-design Overload Limiter is standard on the CX to enhance worker safety and protect the hoist against excessive overloading.
- Low hand-pull force for easy operation (15 kg pull force to lift rated load).
- Aluminum housing and ultra-compact design makes for reduced weight and size.
- Wide hook opening allows easy installation onto almost any reliable attachment point.
- Abrasion and corrosion resistant, plated load chain.
- Articulating top hook allows you to properly centre the load.
- Forged carbon steel hook design will not fracture under excessive load.
- Safety tip hook latch design is thicker for increased durability, and notched to securely engage the latch with the hook tip.
- Sealed gears and brake are protected against damage from dust and water.
- Test Load: 150% of rated capacity

STANDARDS

- ASME B30.16 Safety Standard
- ASME HST-2 Performance Standard
- Grade 100, Nickel Plated Chain

OPTIONS

- Carrying bag for easy portability and storage.
- Additional lifting heights available.



DIMENSIONS (mm)

Capacity (tonne)	Model	C	a	b	d	e	g	s	t
1/4	CX003	217	88	84	53	37	21	32	11

SPECIFICATIONS

Capacity (tonne)	Model	Standard Lift (ft)	Hand Pull to Lift Full Load (kg)	Chain Pulled to Lift Load one meter (meters)	Hook Mount Headroom (in)	Load Chain Code	Load Chain Falls	Hand Chain Code	Hand Chain Falls	Ship Weight (lbs)	Weight per Additional 5 ft of Lift (lbs)
1/4	CX003	8	15	34	8.6	KLX032	1	KHCX025	2	5.7	2