

# M3CB Series Manual Chain Hoists

1/2 to 50 metric tonne capacity, high-capacity, lightweight hoist



KITO M3 Series Manual Chain Hoists are built with premium-grade components for long life in the toughest industrial and contracting applications. M3 manual chain hoists are small and light, yet extremely durable, with industry-leading quality.

## FEATURES

- At rated capacity, load-bearing parts are only stressed to 25% of their limit
- Abrasion resistant load chain is made from heat-treated alloy steel for high, uniform strength
- Forged carbon steel hook design will not fracture under excessive load
- Safe, reliable mechanical brake activates instantly, holds the load securely
- Compact design for lightweight portability
- Articulating top hook allows you to properly centre the load
- Sealed gears and brake protected against damage from dust and water
- Open load sheave allows easy inspection and cleaning without dismantling the unit
- Maintenance-free sealed bearings increase reliability and reduce the pull required to lift loads
- Heat treated load bearing parts are hardened for long, trouble-free life
- High-impact steel housing with similar weight to aluminum due to compact design
- Double reduction gearing requires minimum manual power to operate
- Double-pawl spring system for increased safety and reliability
- Test Load: 125% of rated capacity

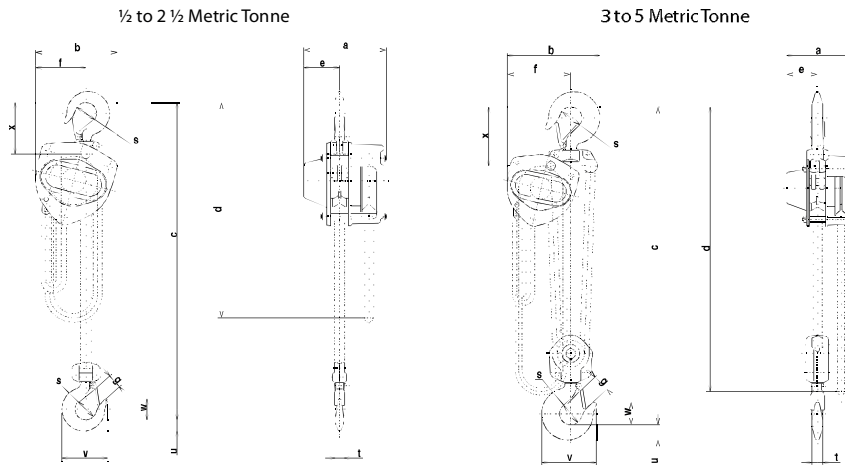
## STANDARDS

- ASME B30.16 Safety Standard
- ASME HST-2 Performance Standard
- Grade 100 Chain

## OPTIONS

- Chain bag to keep chain clean and out of the way
- Slip clutch protects hoist from overloading
- Nickel-diffused chain for corrosive environments
- Custom lift lengths to suit your requirements
- Plain or Geared trolley mount for improved load control (p. 35)

# M3CB Steel Body - Hook Mount



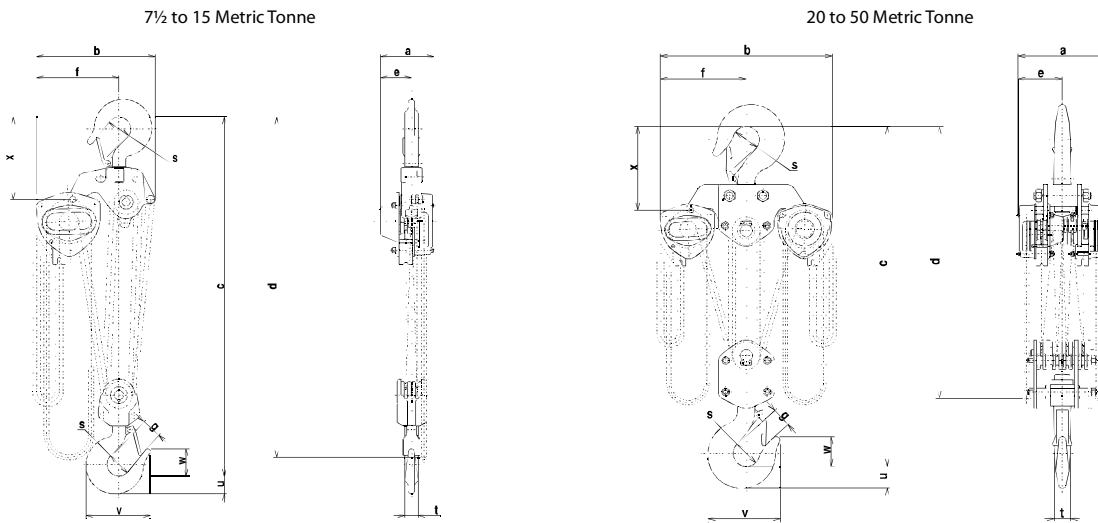
## DIMENSIONS (mm)

| Capacity (tonne) | Model   | C   | a   | b   | d   | e  | f   | g    | s    | t    | u    | v   | w    | x   |
|------------------|---------|-----|-----|-----|-----|----|-----|------|------|------|------|-----|------|-----|
| ½                | M3CB005 | 285 | 158 | 161 | 2.5 | 69 | 99  | 27   | 35.5 | 12.1 | 17   | 77  | 35   | 89  |
| 1                | M3CB010 | 295 | 162 | 161 | 2.5 | 71 | 99  | 29   | 42.5 | 16   | 21.8 | 93  | 41   | 101 |
| 1½               | M3CB015 | 350 | 171 | 182 | 2.5 | 78 | 112 | 34   | 47.5 | 19.5 | 26.5 | 106 | 47   | 119 |
| 2                | M3CB020 | 375 | 182 | 202 | 3   | 87 | 125 | 36   | 50   | 21.8 | 30   | 116 | 49   | 124 |
| 2½               | M3CB025 | 420 | 192 | 233 | 3   | 91 | 143 | 40   | 53   | 24.3 | 33.5 | 126 | 53   | 136 |
| 3                | M3CB030 | 510 | 171 | 235 | 3.1 | 78 | 162 | 42.5 | 56   | 27.2 | 37.5 | 138 | 57   | 148 |
| 5                | M3CB050 | 600 | 192 | 282 | 3.6 | 91 | 194 | 46.5 | 63   | 34.5 | 47.5 | 161 | 67.5 | 172 |

## SPECIFICATIONS

| Capacity (tonne) | Model   | Standard Lift (ft) | Hand Pull to Lift Full Load (kg) | Chain Pulled to Lift Load one meter (meters) | Headroom (in)   |               |      |                | Load Chain Code | Load Chain Falls | Hand Chain Code | Hand Chain Falls | Ship Weight (lbs) | Weight per Additional 5 ft of Lift (lbs) |     |
|------------------|---------|--------------------|----------------------------------|--|-----------------|---------------|------|----------------|-----------------|------------------|-----------------|------------------|-------------------|--|-----|
|                  |         |                    |                                  |  | Hook Mount Only | Plain Trolley |      | Geared Trolley |                 |                  |                 |                  |                   |  |     |
|                  |         |                    |                                  |  |                 | Hook          | Lug  | Hook           |                 |                  |                 |                  |                   |  | Lug |
| ½                | M3CB005 | 8                  | 24                               | 25   | 11.25           | 14.5          | 11.6 | 15             | 11.6            | KCF050           | 1               | KHCF050          | 2                 | 23                                       | 5   |
| 1                | M3CB010 | 8                  | 29                               | 43   | 11.75           | 15            | 12   | 15             | 12              | KCF063           | 1               | KHCF050          | 2                 | 27                                       | 6   |
| 1½               | M3CB015 | 8                  | 35                               | 57   | 13.75           | 18.5          | 14   | 18.5           | 14              | KCF071           | 1               | KHCF050          | 2                 | 33                                       | 7   |
| 2                | M3CB020 | 10                 | 36                               | 70   | 14.75           | 19            | 15   | 19             | 15              | KCB3080          | 1               | KHCF050          | 2                 | 47                                       | 8   |
| 2½               | M3CB025 | 10                 | 33                               | 99   | 16.5            | 22            | 17   | 22             | 17              | KCB3090          | 1               | KHCF050          | 2                 | 60                                       | 9   |
| 3                | M3CB030 | 10                 | 36                               | 114  | 20              | 26            | 21   | 26             | 21              | KCF071           | 2               | KHCF050          | 2                 | 58                                       | 11  |
| 5                | M3CB050 | 10                 | 34                               | 198  | 23.75           | 31            | 24   | 31             | 24              | KCB3090          | 2               | KHCF050          | 2                 | 95                                       | 15  |

# M3CB Steel Body - Hook Mount - Large Capacity



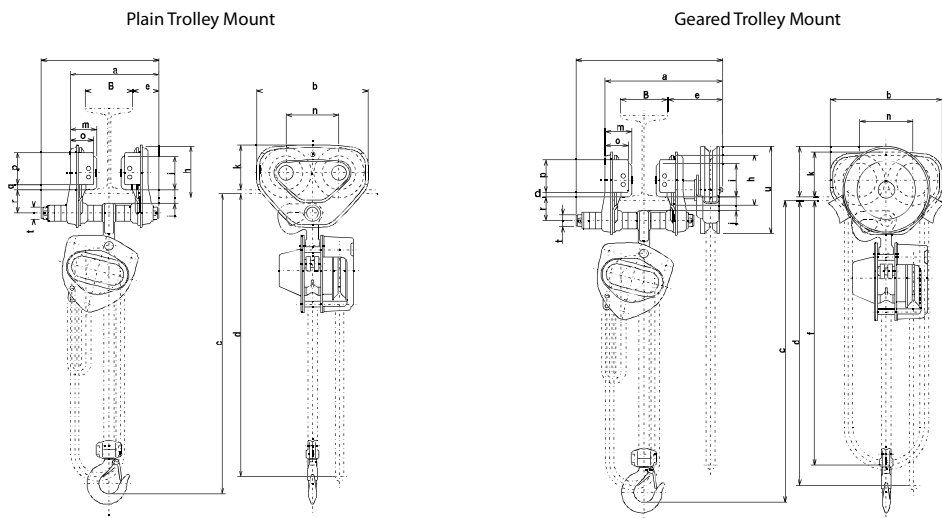
## DIMENSIONS (mm)

| Capacity (tonne) | Model   | C    | a   | b   | d   | e   | f   | g    | s   | t    | u   | v     | w     | x   |
|------------------|---------|------|-----|-----|-----|-----|-----|------|-----|------|-----|-------|-------|-----|
| 7½               | M3CB075 | 770  | 192 | 373 | 4.2 | 91  | 253 | 72.5 | 85  | 47.5 | 63  | 231   | 97.5  | 275 |
| 10               | M3CB100 | 760  | 192 | 438 | 4.2 | 111 | 308 | 72.5 | 85  | 47.5 | 63  | 231   | 97.5  | 295 |
| 15               | M3CB150 | 1020 | 268 | 492 | 4.7 | 119 | 337 | 80   | 100 | 60   | 80  | 275   | 110   | 320 |
| 20               | M3CB200 | 1180 | 374 | 746 | 4.8 | 187 | 373 | 81   | 110 | 67   | 90  | 301   | 125   | 351 |
| 30               | M3CB300 | 1300 | 404 | 746 | 4.8 | 202 | 373 | 103  | 125 | 85   | 112 | 367   | 143   | 400 |
| 40               | M3CB400 | 1480 | 502 | 760 | 4.9 | 251 | 380 | 96   | 145 | 123  | 133 | 412.5 | 182.5 | 445 |
| 50               | M3CB500 | 1560 | 544 | 796 | 4.9 | 272 | 398 | 100  | 165 | 135  | 155 | 447.5 | 202.5 | 467 |

## SPECIFICATIONS

| Capacity (tonne) | Model   | Hand Pull to Lift Full Load (kg) | Chain Pulled to Lift Load one meter (meters) | Headroom (in)   |               |      |                | Load Chain Code | Load Chain Falls | Hand Chain Code | Hand Chain Falls | Ship Weight (lbs) | Weight per Additional 5 ft of Lift (lbs) |     |
|------------------|---------|----------------------------------|--|-----------------|---------------|------|----------------|-----------------|------------------|-----------------|------------------|-------------------|--|-----|
|                  |         |                                  |  | Hook Mount Only | Plain Trolley |      | Geared Trolley |                 |                  |                 |                  |                   |  |     |
|                  |         |                                  |  |                 | Hook          | Lug  | Hook           |                 |                  |                 |                  |                   |  | Lug |
| 7½               | M3CB075 | 35                               | 297  | 30.5            | 34.5          | ---- | 34.5           | ----            | KCB3090          | 3               | KHCF050          | 2                 | 145                                      | 21  |
| 10               | M3CB100 | 36                               | 396  | 30              | 34            | ---- | 34             | ----            | KCB3090          | 4               | KHCF050          | 2                 | 200                                      | 27  |
| 15               | M3CB150 | 37                               | 594  | 40.25           | ----          | ---- | 45             | ----            | KCB3090          | 6               | KHCF050          | 2                 | 363                                      | 38  |
| 20               | M3CB200 | 36 x 2                           | 396 x 2                                      | 46.5            | ----          | ---- | 52             | ----            | KCB3090          | 8               | KHCF050          | 4                 | 671                                      | 53  |
| 30               | M3CB300 | 43 x 2                           | 495 x 2                                      | 51.25           | ----          | ---- | ----           | ----            | KCB3090          | 10              | KHCF050          | 4                 | 880                                      | 65  |
| 40               | M3CB400 | 43 x 2                           | 693 x 2                                      | 58.3            | ----          | ---- | ----           | ----            | KCB3090          | 14              | KHCF050          | 4                 | 1386                                     | 88  |
| 50               | M3CB500 | 49 x 2                           | 792 x 2                                      | 61.5            | ----          | ---- | ----           | ----            | KCB3090          | 16              | KHCF050          | 4                 | 1738                                     | 100 |

# M3CB Steel Body - Trolley Mount



## DIMENSIONS (mm)

| Capacity (tonne)            | Hoist Model | Trolley Model | a (max) | a1  | C    | b    | d   | e   | f   | h   | i   | j  | k   | k1  | m    | n     | o   | p   | q  | r   | t  | u   |
|-----------------------------|-------------|---------------|---------|-----|------|------|-----|-----|-----|-----|-----|----|-----|-----|------|-------|-----|-----|----|-----|----|-----|
| <b>Plain Trolley Mount</b>  |             |               |         |     |      |      |     |     |     |     |     |    |     |     |      |       |     |     |    |     |    |     |
| ½                           | M3CB005     | TSP2005       | 173     | 204 | 295  | 182  | 2.5 | 46  | 2.2 | 82  | 60  | 19 | 76  | 106 | 47.5 | 84    | 42  | 54  | 10 | 38  | 22 | 183 |
| 1                           | M3CB010     | TSP2010       | 215     | 249 | 305  | 236  | 2.5 | 56  | 2.2 | 106 | 71  | 28 | 95  | 106 | 56   | 112   | 50  | 69  | 10 | 50  | 25 | 183 |
| 1½                          | M3CB015     | TSP2020       | 264     | 300 | 365  | 280  | 2.5 | 69  | 2.2 | 127 | 85  | 34 | 112 | 109 | 71   | 131   | 63  | 83  | 10 | 62  | 32 | 183 |
| 2                           | M3CB020     | TSP2020       | 264     | 300 | 380  | 280  | 3   | 69  | 2.7 | 127 | 85  | 34 | 112 | 109 | 71   | 131   | 63  | 83  | 10 | 62  | 32 | 183 |
| 2½                          | M3CB025     | TSP2030       | 280     | 320 | 435  | 324  | 3   | 79  | 2.7 | 148 | 100 | 36 | 134 | 114 | 80   | 152   | 74  | 102 | 10 | 68  | 36 | 183 |
| 3                           | M3CB030     | TSP2030       | 280     | 320 | 535  | 324  | 3.1 | 79  | 2.7 | 148 | 100 | 36 | 134 | 114 | 80   | 152   | 74  | 102 | 10 | 68  | 36 | 183 |
| 5                           | M3CB050     | TSP2050       | 273     | 297 | 660  | 400  | 3.6 | 53  | 3.2 | 169 | 118 | 47 | 144 | 131 | 81   | 178   | 70  | 104 | 10 | 88  | 54 | 183 |
| <b>Geared Trolley Mount</b> |             |               |         |     |      |      |     |     |     |     |     |    |     |     |      |       |     |     |    |     |    |     |
| ½                           | M3CB005     | TSG2010       | 275     | 309 | 305  | 236  | 2.5 | 116 | 2.2 | 106 | 71  | 28 | 95  | 106 | 56   | 112   | 50  | 69  | 10 | 50  | 25 | 183 |
| 1                           | M3CB010     | TSG2010       | 275     | 309 | 305  | 236  | 2.5 | 116 | 2.2 | 106 | 71  | 28 | 95  | 106 | 56   | 112   | 50  | 69  | 10 | 50  | 25 | 183 |
| 1½                          | M3CB015     | TSG2020       | 349     | 385 | 365  | 280  | 2.5 | 154 | 2.2 | 127 | 85  | 34 | 112 | 109 | 71   | 131   | 63  | 83  | 10 | 62  | 32 | 183 |
| 2                           | M3CB020     | TSG2020       | 349     | 385 | 380  | 280  | 3   | 154 | 2.7 | 127 | 85  | 34 | 112 | 109 | 71   | 131   | 63  | 83  | 10 | 62  | 32 | 183 |
| 2½                          | M3CB025     | TSG2030       | 359     | 398 | 435  | 324  | 3   | 157 | 2.7 | 148 | 100 | 36 | 134 | 114 | 80   | 152   | 74  | 102 | 10 | 68  | 36 | 183 |
| 3                           | M3CB030     | TSG2030       | 359     | 398 | 535  | 324  | 3.1 | 157 | 2.7 | 148 | 100 | 36 | 134 | 114 | 80   | 152   | 74  | 102 | 10 | 68  | 36 | 183 |
| 5                           | M3CB050     | TSG2050       | 376     | 400 | 660  | 400  | 3.6 | 156 | 3.2 | 169 | 118 | 47 | 144 | 131 | 81   | 178   | 70  | 104 | 10 | 88  | 54 | 183 |
| 7½                          | M3CB075     | TSG2100       | 443     | 523 | 870  | 492  | 4.3 | 178 | 3.7 | 185 | 155 | 53 | 170 | 165 | 120  | 196.5 | 104 | 89  | 8  | 153 | 70 | 214 |
| 10                          | M3CB100     | TSG2100       | 443     | 523 | 860  | 492  | 4.3 | 178 | 3.7 | 185 | 155 | 53 | 170 | 165 | 120  | 196.5 | 104 | 89  | 8  | 153 | 70 | 214 |
| 15                          | M3CB150     | TSG2200       | 576     | 540 | 1150 | 1012 | 4.8 | 178 | 4.2 | 185 | 155 | 62 | 170 | 165 | 120  | 716.5 | 104 | 89  | 8  | 203 | 80 | 214 |
| 20                          | M3CB200     | TSG2200       | 576     | 540 | 1310 | 1012 | 4.9 | 178 | 4.2 | 185 | 155 | 62 | 170 | 165 | 120  | 716.5 | 104 | 89  | 8  | 203 | 80 | 214 |