

TCR Series Air Powered Chain Hoists

1/4 to 25 tonne capacity, accurate, reliable hoist



The TCR series of air hoists feature a host of advantages to increase your productivity. Compact and highly durable, these quiet-to-operate air hoists perform fine feathering movements and precise load spotting without electrical hazard.

FEATURES

- Load-bearing parts are only stressed to 20% of their limit at rated capacity
- Abrasion resistant, case-hardened, nickel-plated load chain is made from heat-treated alloy steel for high, uniform strength
- Forged carbon steel hook design will not fracture under excessive load
- Reliable non-asbestos, self adjusting brake
- Built-in load limiter automatically stops lifting when load is over the rated capacity on 1/2 tonne and above
- Upper and lower limit switch prevent over-travel in up or down direction
- 360° swivel bottom hook with built-in bearing, for easy positioning
- Weathertight construction resists dust and water, reliable in harsh environments
- Fine feathering movement with precision starting and stopping
- Quiet operation with external muffler
- 100% duty cycle multi-vane motor with filter/lubricator installed
- Full range variable speed control for increased productivity
- Filter/Lubricator included with each unit
- Test Load: 125% of rated capacity

STANDARDS

- ASME B30.16 Safety Standard
- ASME HST-5 Performance Standard
- Grade 80, Case Hardened Chain
- 80.5 dBA at 1 metre
- 90 PSI Pressure

OPTIONS

- Pendant or cord control to meet your needs
- Chain bag to keep chain clean and out of the way
- Custom lift lengths to suit your requirements
- Plain or Geared trolley mount for improved load control (p. 35)

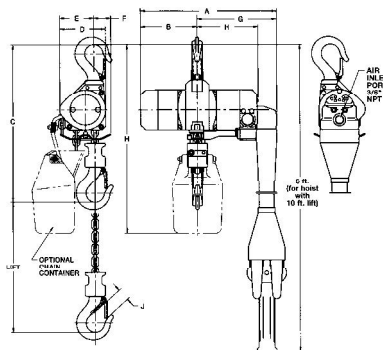
TCR Variable Speed Hoist - Hook Mount

1/4 TONNE - MINI CHAIN HOIST



DIMENSIONS (mm)

Capacity (tonne)	Model	C	A	B	D	E	H	J
TCR Manipulator Control - Hook Suspension								
¼	TCR250M	837	269	112	89	66	373	23
TCR Pendant Control - Hook Suspension								
¼	TCR250P	305	269	112	89	66	373	23
TCR Cord Control - Hook Suspension								
¼	TCR250C	305	231	112	89	66	373	23

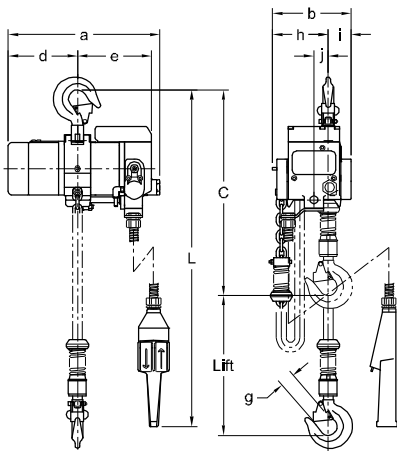


SPECIFICATIONS

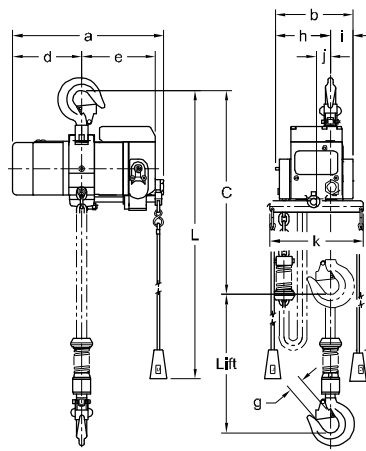
Capacity (tonne)	Model	Standard Lift (ft)	Max. Lift (ft)		Speeds (90 PSI - ft/min)				Headroom (in)				Load Chain Code	Load Chain Falls	Ship Weight (lbs)	Weight per Additional 5 ft of Lift (lbs)	
					Up		Down										
			Chain	Pendant	with Load	w/o Load	with Load	w/o Load	Hook Mount Only	Plain Trolley		Geared Trolley					
TCR Manipulator Control - Hook Suspension																	
¼	TCR250M	6	6	6	26	55	54	41	33	36	31.7	36	----	KED040	1	24	----
TCR Pendant Control - Hook Suspension																	
¼	TCR250P	10	130	20	27	55	54	41	12	15	10.7	15	----	KED040	1	16	4
½	TCR500P	10	130	20	33	62	52	43	18.25	22	18.6	22	18.6	KER063	1	68	4
1	TCR1000P2	10	65	20	16	31	27	21	20.5	24.6	21.3	24.6	21.3	KER063	2	76	8
1	TCR1000P	10	130	20	19	34	31	21	18.5	22.6	19.2	22.6	19.2	KER071	1	74	5
2	TCR2000P2	10	65	20	10	17	15	10	22.75	28	23	28	22.9	KER071	2	87	10
3	TCR3000P	10	130	25	9	17	13	10	22.25	28.4	21.6	28.4	21.6	KER112	1	151	11
6	TCR6000P2	10	65	25	5	8	7	5	27	----	29.5	----	29.5	KER112	2	197	22
10	TCR10000P2	10	50	16	5.1	7.2	7.6	5.9	35	----	----	----	----	LCTCR10	2	476	19
25	TCR25000P2	10	50	16	1.8	2.1	2.2	1.6	56.7	----	----	----	----	LCTCR25	2	1082	35
TCR Cord Control - Hook Suspension																	
¼	TCR250C	10	130	----	30	61	57	45	12	15	10.7	15	----	KED040	1	16	4
½	TCR500C	10	130	----	33	62	52	43	18.25	22	18.6	22	18.6	KER063	1	68	4
1	TCR1000C2	10	65	----	16	31	27	21	18.25	24.6	21.3	24.6	21.3	KER063	2	76	8
1	TCR1000C	10	130	----	19	34	31	21	18.5	22.6	19.2	22.6	19.2	KER071	1	74	5
2	TCR2000C2	10	65	----	10	17	15	10	22.75	28	23	28	22.9	KER071	2	87	10
3	TCR3000C	10	130	----	9	17	13	10	22.25	28.4	21.6	28.4	21.6	KER112	1	151	11
6	TCR6000C2	10	65	----	5	8	7	5	27	----	29.5	----	29.5	KER112	2	197	22
10	TCR10000C2	10	50	----	5.1	7.2	7.6	5.9	35	----	----	----	----	LCTCR10	2	465	19
25	TCR25000C2	10	50	----	1.8	2.1	2.2	1.6	56.7	----	----	----	----	LCTCR25	2	1074	35

TCR Variable Speed Hoist - Hook Mount

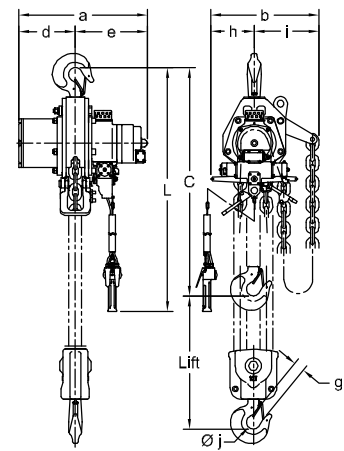
½ to 6 Metric Tonne
Pendant Control



½ to 6 Metric Tonne
Cord Control



10 to 25 Metric Tonne
Pendant Control



DIMENSIONS (mm)

Capacity (tonne)	Model	c	a	b	d	e	g	h	i	j	k
Pendant Control - Hook Suspension											
½	TCR500P	462	340	175	155	168	28	124	51	33	----
1	TCR1000P2	519	340	185	155	168	28	150	38	56	----
1	TCR1000P	466	340	175	155	168	28	124	51	33	----
2	TCR2000P2	580	340	193	155	168	28	152	41	58	----
3	TCR3000P	563	450	226	203	229	33	48	175	43	----
6	TCR6000P2	690	450	282	203	229	43	64	221	86	----
10	TCR10000P2	889	551	467	246	305	41	188	279	61	----
25	TCR25000P2	1440	699	475	363	335	79	163	312	124	----
Cord Control - Hook Suspension											
½	TCR500C	462	340	175	155	168	28	124	51	33	211
1	TCR1000C2	519	340	185	155	168	28	150	38	56	211
1	TCR1000C	466	340	175	155	168	28	124	51	33	211
2	TCR2000C2	580	340	193	155	168	28	152	41	58	211
3	TCR3000C	563	450	226	203	229	33	48	175	43	211
6	TCR6000C2	690	450	282	203	229	43	64	221	86	211
10	TCR10000C2	889	551	467	246	305	41	188	279	61	----
25	TCR25000C2	1440	699	475	363	335	79	163	312	124	----