



UBC

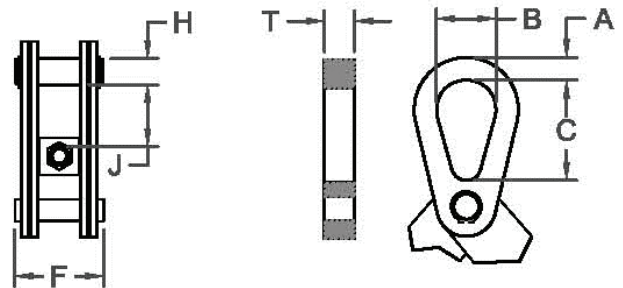
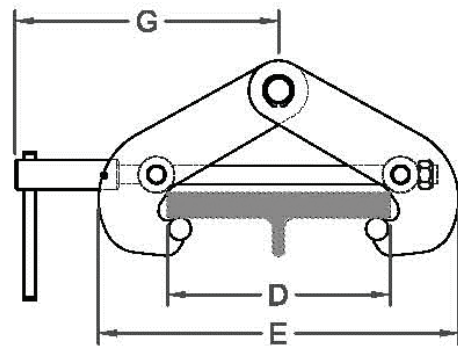
Series Universal Beam Clamp

1 to 10 metric tonne, light weight clamp

Kito's UBC Universal Beam Clamp is the perfect accessory when a temporary or semi-permanent hoist anchor point is required. This adjustable beam clamp offers an efficient, cost effective method for most workholding and positioning applications, and can also be used as a below-the-hook lifting attachment.

FEATURES

- » Available in 1t, 2t, 3t, 5t, and 10t metric rated capacities
- » Lightweight portable design
- » Jaw opening adjusts for a wide range of tapered or flat flanged beams
- » Built-in suspension pin for low headroom
- » Left-hand and right-hand clamp screw allows for a quick clamping and unclamping
- » Lock nut feature resists loosening to improve secure clamping
- » Design Factor minimum of 5:1
- » Meets ASME BTH-1 and ASME B30.20
- » Each clamp is individually serialized and load tested (test certificates included)
- » Optional UBC suspender for perpendicular mounting and oversized hooks



SPECIFICATIONS

Capacity (tonne)	Model	Flange Range D (in)	Max. Beam Flange Thickness (in)	Max. E (in)	F (in)	G (in)	H (in)	J (in)	A (in)	B (in)	C (in)	T (in)	Net Weight (lbs)*	Shipping Weight Approx. (lbs)*
1	UBC010	3.00 to 7.50	0.83	12.25	3.00	9.25	0.88	2.10	0.75	2.00	2.00	0.63	8	10
2	UBC020	3.00 to 7.50	0.83	12.25	3.00	9.25	0.88	2.10	0.75	2.00	2.00	0.63	9	11
3	UBC030	4.00 to 12.00	1.00	19.75	4.25	11.0	1.25	2.38	1.00	2.50	2.50	1.00	19	22
5	UBC050	4.00 to 12.00	1.00	19.7	4.25	11.0	1.25	2.38	1.00	2.50	2.50	1.00	22	25
10	UBC100	6.00 to 13.25	1.75	22.50	6.00	14.63	1.75	4.65	1.38	3.75	6.25	1.25	55	60